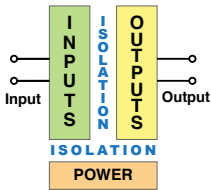




TL-DUAL-LOOP and TL-QUAD-LOOP Transmitters

- ▶ Compact, 22.5mm (0.89"), DIN Rail Mount
Universal Analog to Quad 4-20mA Retransmitter and Analog to Dual 4-20mA Retransmitter

- ▶ Triple Isolated: Power to Inputs
Power to Outputs
Inputs to Outputs
5000 VRMS Isolation at Input

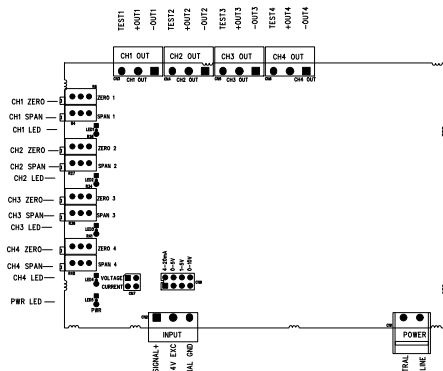


TL-DUAL-LOOP

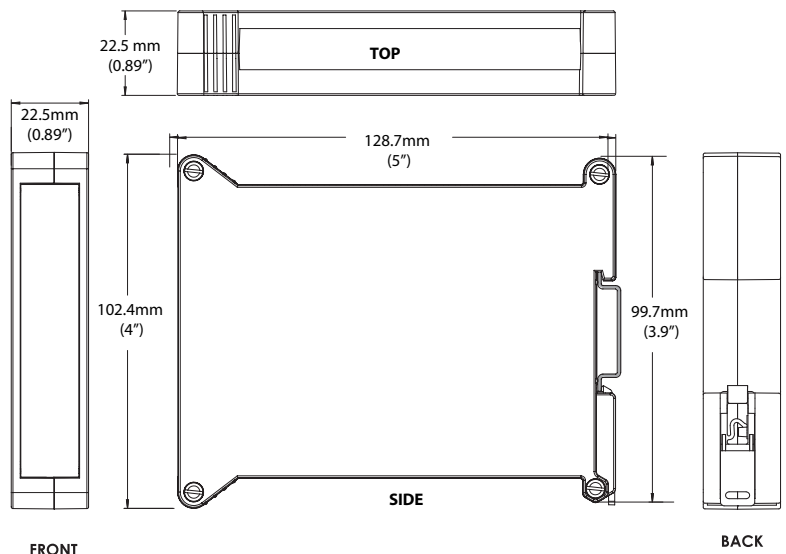


Outputs are isolated from input and power. Outputs share common negative terminals. customer can optionally use shared return wire.

TL-QUAD-LOOP



CASE DIMENSIONS



- For ordering info call: 1-800-TEXMATE or 760 598-9899
 - Email: orders@texmate.com
 - For tech assistance: Techsupport@texmate.com
- 1934 Kellogg Ave., Carlsbad, CA 92008