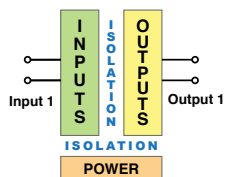




Leopard TL-Frequency Transmitter / Controller

- ▶ Compact, 22.5mm, DIN Rail Mount Transmitter
- ▶ Accurately convert frequency to 4-20mA or 0-10 VDC on a range of 0.00 to 9999 Hz, 65 to 300VAC Line.
- ▶ Two optional 6A FormC Relays
- ▶ Triple Isolated: Power to Inputs
Power to Outputs
Inputs to Outputs



0 - 9999 Hz
at 65 - 300 VAC



- INPUT:**
- 45-55 Hz
 - 55-60 Hz
 - 55-65 Hz
 - Custom Range (0.00-9999 Hz)



- Active OUTPUT 4-20mA
- + Isolated 0-10V

SP1 Optional Relay

6A Form C Relays

SP2 Optional Relay

POWER SUPPLY

- PS2 15 to 48 VAC 3.5W
50-400 Hz
Fuse Not Replaceable
10 to 72 VDC 3.5W
- PS1 85 to 265 VAC 3.5W
50-400 Hz
95 to 300 VDC 3.5W



Optional Remote Display Programmer
Needed for Programming Relays



Resolution only when display is used; from .99 Hz to 1 Hz.

TL-Frequency . Line Frequency.....\$189

▶ **POWER SUPPLY**

- PS1 85-265VAC/95-300VDC\$0
- PS2 15-48VAC/10-72VDC\$35

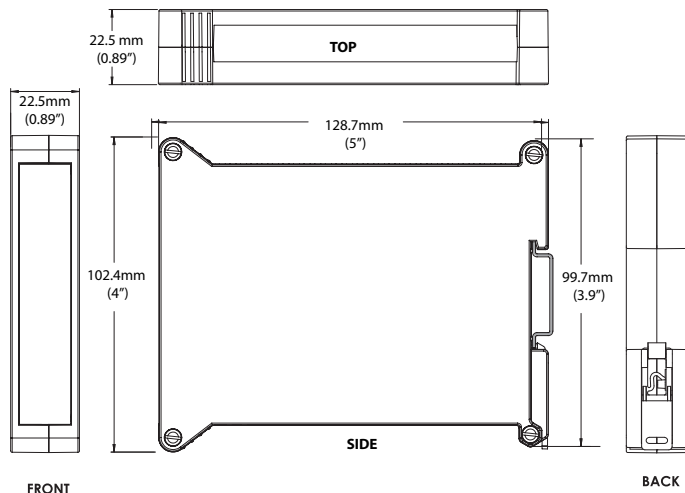
▶ **RELAY OUTPUT**

- R11 Single 9A Form C Relay\$40
- R12 Dual 9A Form C Relays\$75

Short Depth 96x48 Remote Display/Programmer Kit
OP-TL/RDISP . . Remote Display/Programmer
w/Cable and Belt clip Carrying Case\$75



CASE DIMENSIONS



- For ordering info call: 1-800-TEXMATE or 760 598-9899
 - Email: orders@texmate.com • Fax: (760) 598-9828
 - For tech assistance call: (760) 598-9899
- 450 State Place, Escondido, CA 92029